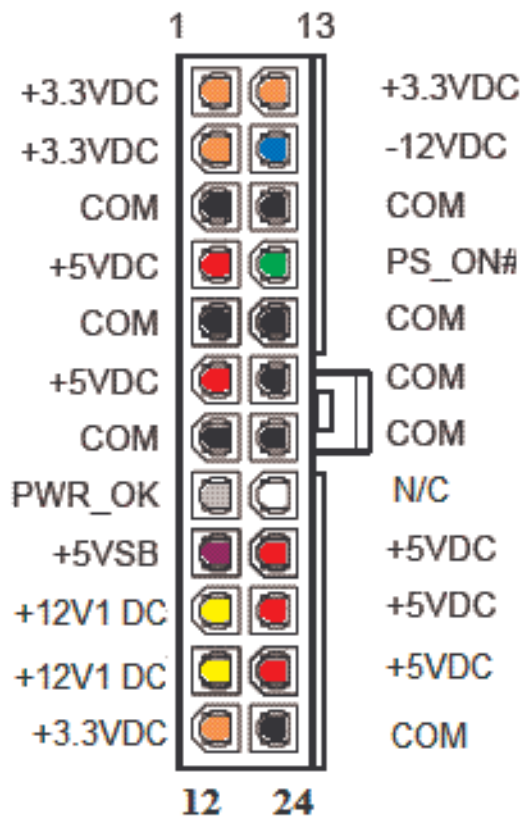
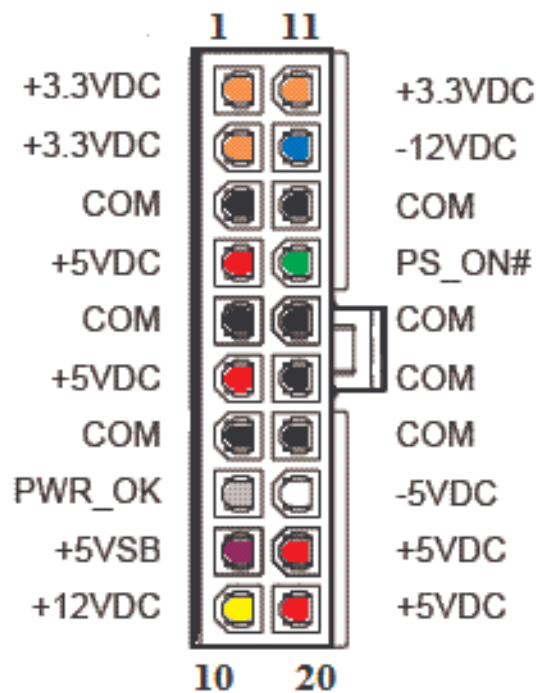


## MAIN POWER CONNECTOR (PIN-SIDE VIEW)



Version 2.0

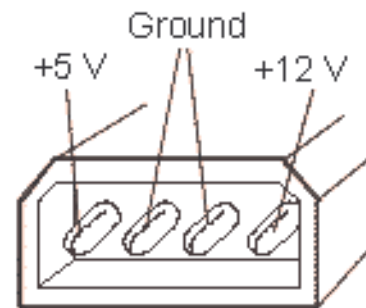


Version 1.0

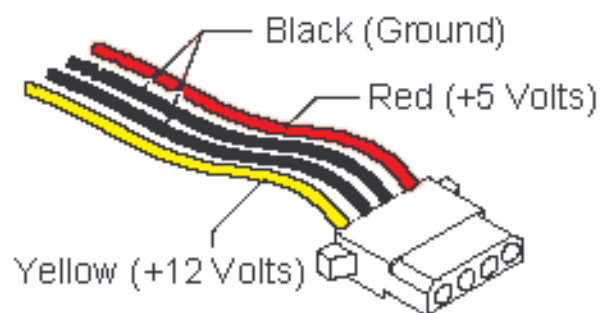
Use a paper clip or other electrical conductor to short the GREEN PS\_ON to one of the BLACK wires. Sometimes the PS\_ON is not green, if so you must short pin 16 to ground on the 24pin ATX connector.

The 0950-4051 doesn't have any floppy or hard drive power connectors, so this will make testing a little harder. You will have to strip the insulation from some Molex extension cable or Y cable then shove the wire into the matching colors on the ATX connector. It won't matter which wires you pick, as long as the color matches.

With an "electrical load" attached to the molex, and the PS\_ON shorted to ground the power supply fan should be on, and whatever is attached to the molex should spin or open its CDROM door. If not then the Power Supply is defective.



Disk drive power connector



Power cable connector